

D

C

B

A

4

4

3

3

2

2

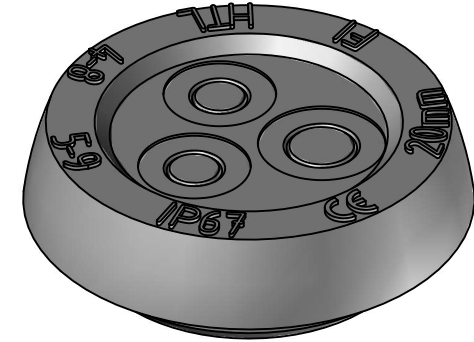
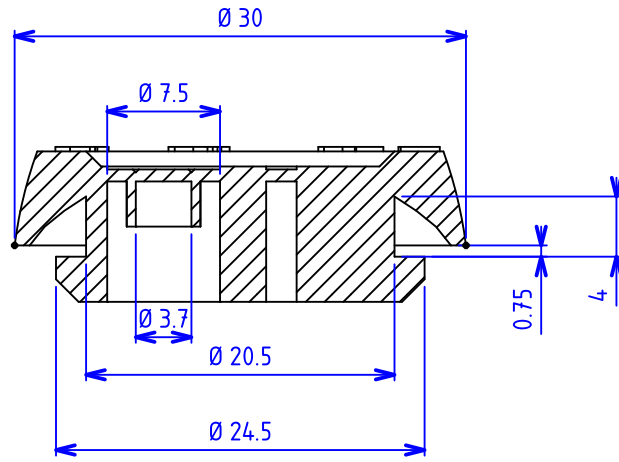
1

1

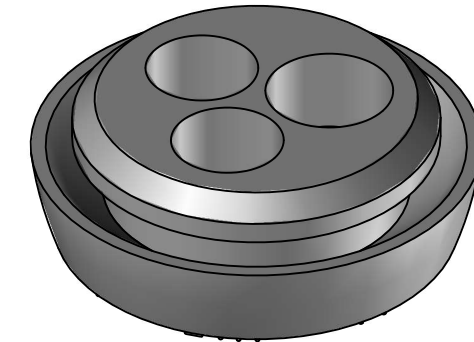
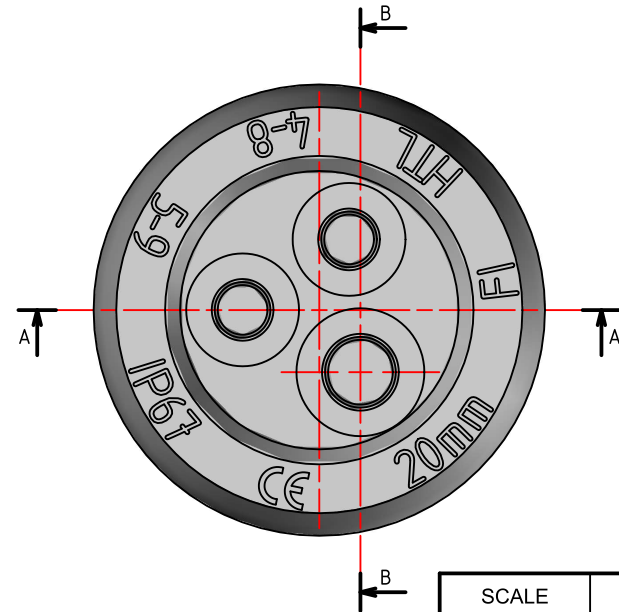
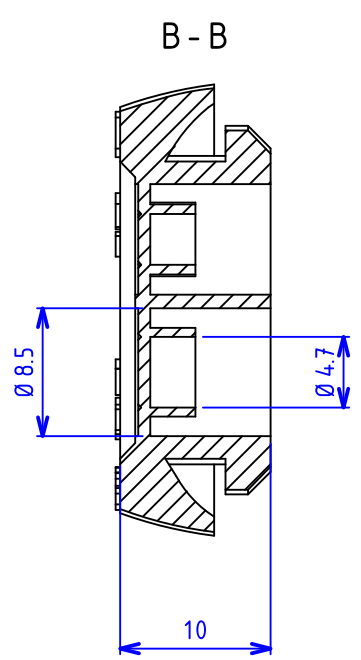
D

A

A-A



B-B



Tilavuus 3.7 Cm3

| | | | | |
|---------------------|------------------------|--------------------|--|----|
| SCALE 2:1 | HTL-20-3 | AUTHOR Tuomas | | |
| | | DATE 26/01/2020 | | |
| | HT Hi Tech Polymers Oy | Address1 | | |
| | | Address2 | | |
| A4 | Piir. N:o 2612020 | | | 00 |