

## CATALOGUE

DISTRIBUTION BLOCKS LK DTB, UK DTB

## Distribution blocks LK DTB

are used to split conductors from one larger cross-section to several conductors of smaller cross-section. These blocks are offered in six types with a nominal connection cross section of 16, 35, 70, 120, 185 mm<sup>2</sup> and

for flexible buses (see product for dimensions). The screws are tightened with an Allen key. Mounting is possible on a DIN rail or using mounting screws on a flat surface. The protection for all types is IP 20. The distribution blocks have an easy-to-open top cover made of blue transparent plastic, which must NOT be opened for mounting and dismantling the output wires. LK DTB distribution blocks are tested according to EN 60947-7-1.



### Main parameters

- 1 pole design with the possibility of connecting the terminals into blocks.
- Connectivity range: 2.5 ÷ 185 mm<sup>2</sup> + flexible buses.
- Construction material: Polyamide PA 66 / PC.
- Mounting: on TH 35 rail and on the plate.
- Testing: EN 60 947 - 7 - 1.
- The distribution blocks are intended for copper conductors only.
- Flexible conductors must be provided with a ferrule.

## Distribution blocks UK DTB

are designed to split the power supply wire with a maximum cross-section of 35mm<sup>2</sup>. The blocks are offered in 2 and 4 poles version with different numbers of clamping units (7, 11 and 15 Output clamping units). The screws are tightened with an Allen key

and a PH 2 screwdriver. The distribution blocks have an easy-to-open top cover made of blue transparent plastic. They can be used, for example, as distribution boards for supply conductors, or, as a centralized terminal block for N bridges behind RCDs. UK DTB distribution blocks are tested according to EN 60947-7-1.



### Main parameters

- 2 and 4 poles design with the possibility of expansion to 3 and 5 poles.
- Connectivity range: 1.5 ÷ 35 mm<sup>2</sup>.
- Construction material: Polyamide PA 66 / PC.
- Mounting: on TH 35 rail.
- Testing: EN 60 947 - 7 - 1.
- The distribution blocks are intended for copper conductors only.
- Flexible conductors must be provided with a ferrule.

## Menu

1	Testing and list of products .....	2
2	Distribution blocks LK DTB .....	3
2.1	Accessories .....	5
3	Distribution blocks UK DTB .....	6
3.1	Accessories .....	9
4	Note .....	10

## 1 Testing and list of products

The terminal blocks LK UTB and UK DTB are tested according to the following standards:

**EN 60 947 – 7 – 1 : 2009** Low-voltage switchgear and controlgear - Part 7-1: Ancillary equipment - Terminal blocks for copper conductors

### LK DTB

<b>ULK016</b>	Distribution block LK DTB 16
<b>ULK035</b>	Distribution block LK DTB 35
<b>ULK070</b>	Distribution block LK DTB 70
<b>ULK120</b>	Distribution block LK DTB 120
<b>ULK185</b>	Distribution block LK DTB 185
<b>ULK185K</b>	Distribution block LK DTB 185+8x24
<b>ULKC3570</b>	Cross connection UJ
<b>ULK250A.120</b>	pin for cable lugs TF250
<b>ULK400A.185</b>	pin for cable lugs TF400

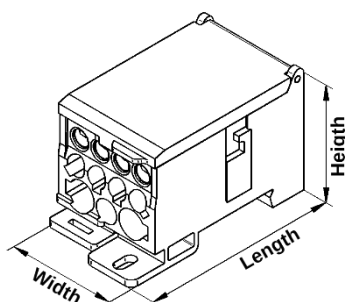


### UK DTB

<b>UM207</b>	Distribution block UK DTB 207
<b>UM211</b>	Distribution block UK DTB 211
<b>UM215</b>	Distribution block UK DTB 215
<b>UM407</b>	Distribution block UK DTB 407
<b>UM411</b>	Distribution block UK DTB 411
<b>UM412</b>	Distribution block UK DTB 412
<b>UM415</b>	Distribution block UK DTB 415
<b>UMM07.15</b>	Adapter N125
<b>UMM12</b>	Adapter N160

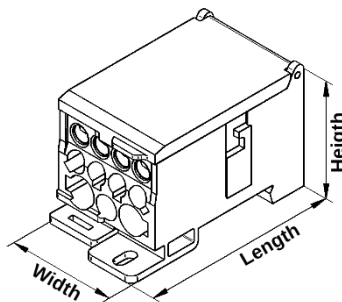


## 2 Distribution blocks LK DTB



	<b>LK DTB 16</b>	<b>LK DTB 35</b>	<b>LK DTB 70</b>
Rated current [A]	80	125	160
Short-time withstand current [A]	1920	4200	8400
Insulation voltage [V]	690	690	690
Cross-section [mm <sup>2</sup> ]	Input	10 ÷ 35	10 ÷ 70
	Output	6 ÷ 16	6 ÷ 16
Tightening torque [Nm]	4 x 2,5 ÷ 6	6 x 2,5 ÷ 16 (solid)	6 x 2,5 ÷ 16 (solid)
	2 x 2,5 ÷ 16	or 4 x 2,5 ÷ 16 (flexible with ferrule)	or 4 x 2,5 ÷ 16 (flexible with ferrule)
Tool	3,5 (2,5 ÷ 16 mm <sup>2</sup> )	8,5 (10 ÷ 35 mm <sup>2</sup> )	8,5 (10 ÷ 70 mm <sup>2</sup> )
	1,2 (2,5 ÷ 6 mm <sup>2</sup> )	3,5 (2,5 ÷ 16 mm <sup>2</sup> )	3,5 (2,5 ÷ 16 mm <sup>2</sup> )
Assembly method	Inbus	Inbus	Inbus
IP	TH 35 / on the plate	TH 35 / on the plate	TH 35 / on the plate
Number of clamping points	20	20	20
Number of levels	7	8	8
End cover plate required	1	1	1
Testing	NO	NO	NO
Dimensions [mm] (width / height / length)	EN 60947-7-1	EN 60947-7-1	EN 60947-7-1
Weight [g]	30 / 46 / 65	29 / 46 / 77	29 / 46 / 77
Packing [pcs]	64	150	145
Order number	1	1	1
	ULK016	ULK035	ULK070





	<b>LK DTB 120</b>	<b>LK DTB 185</b>	<b>LK DTB 185 8x24</b>	
Rated current [A]	250	400	500	
Short-time withstand current [A]	14400	22200	22200	
Insulation voltage [V]	690	690	690	
Cross-section [mm <sup>2</sup> ]	Input	35 ÷ 120	95 ÷ 185	See below
	Output	2 x 6 ÷ 35 (flexible wire with ferrule max.25)	2 x 6 ÷ 35 (flexible wire with ferrule max.25)	2 x 6 ÷ 35 (flexible wire with ferrule max.25)
		5 x 2,5 ÷ 16	5 x 2,5 ÷ 16	5 x 2,5 ÷ 16
		4 x 2,5 ÷ 10	4 x 2,5 ÷ 10	4 x 2,5 ÷ 10
Tightening torque [Nm]	19 (35 ÷ 120 mm <sup>2</sup> )	25 (95 ÷ 185mm <sup>2</sup> )	10 (Viz níže)	
	4,4 (6 ÷ 35 mm <sup>2</sup> )	4,4 (6 ÷ 35 mm <sup>2</sup> )	4,4 (6 ÷ 35 mm <sup>2</sup> )	
	2,7 (2,5 ÷ 16 mm <sup>2</sup> )	2,7 (2,5 ÷ 16 mm <sup>2</sup> )	2,7 (2,5 ÷ 16 mm <sup>2</sup> )	
Tool	Inbus	Inbus	Inbus	
Assembly method	TH 35 / on the plate	TH 35 / on the plate	TH 35 / on the plate	
IP	20	20	20	
Number of clamping points	12	12	12	
Number of levels	1	1	1	
End cover plate required	NO	NO	NO	
Testing	EN 60947-7-1	EN 60947-7-1	EN 60947-7-1	
Dimensions [mm] (width / height / length)	49 / 50 / 96	49 / 50 / 96	49 / 50 / 96	
Weight [g]	400	390	380	
Packing [pcs]	1	1	1	
Order number	ULK120	ULK185	ULK185K	

### Dimensions of flexible busbar

Number of lamellas x lamella width [mm] x lamella thickness [mm]		
4 x 15,5 x 0,8	2 x 20 x 1	2 x 24 x 1
6 x 15,5 x 0,8	3 x 20 x 1	3 x 24 x 1
	4 x 20 x 1	4 x 24 x 1
	5 x 20 x 1	5 x 24 x 1
	6 x 20 x 1	6 x 24 x 1
		8 x 24 x 1



RoHS



## 2.1 Accessories



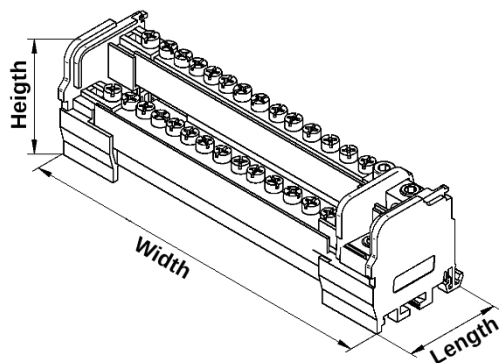
### Cross connection UJ

### Pin for cable lugs

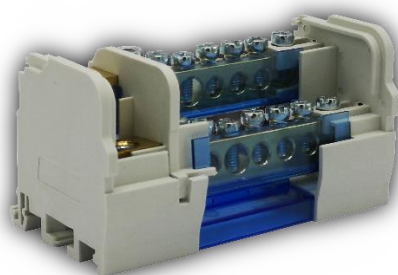
		TF 250 A	TF 400 A
Max. current [A]	125	250	400
IP (if connected)	20	00	00
Diameter of the hole [mm]	-	10	10
Weight [g]	24	44	85
Package [pcs]	1	1	1
<b>Suitable for distribution blocks:</b>	<b>LK DTB 35, LK DTB 70</b>	<b>LK DTB 120</b>	<b>LK DTB 185</b>
Order number	ULK3570	ULK250A.120	ULK400A.185

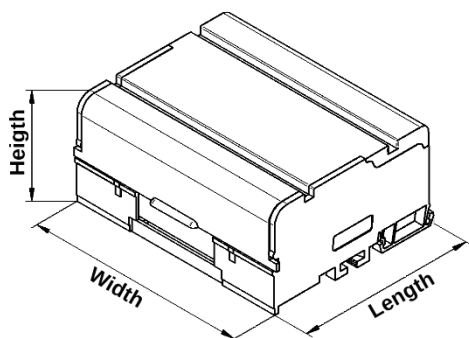


### 3 Distribution blocks UK DTB

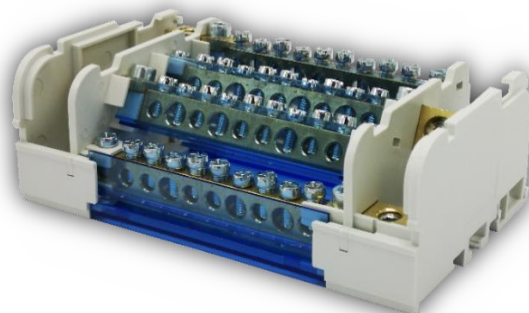


	<b>UK DTB 207</b>	<b>UK DTB 211</b>	<b>UK DTB 215</b>	
Rated current [A]	125	125	125	
Short-time withstand current [A]	4 200	4 200	4 200	
Insulation voltage [V]	500	500	500	
Cross-section [mm <sup>2</sup> ]	Input	6 ÷ 35 (flexible wire with ferrule max.25)	6 ÷ 35 (flexible wire with ferrule max.25)	6 ÷ 35 (flexible wire with ferrule max.25)
	Output	4 ÷ 25 (flexible wire with ferrule max.16) 5 x 1,5 ÷ 16 (flexible wire with ferrule max.10)	3 x 4 ÷ 25 (flexible wire with ferrule max.16) 7 x 1,5 ÷ 16 (flexible wire with ferrule max.10)	3 x 4 ÷ 25 (flexible wire with ferrule max.16) 11 x 1,5 ÷ 16 (flexible wire with ferrule max.10)
Tightening torque [Nm]	2,5 (6 ÷ 35 mm <sup>2</sup> ) 2 (1,5 ÷ 16 mm <sup>2</sup> )	2,5 (6 ÷ 35 mm <sup>2</sup> ) 2 (1,5 ÷ 16 mm <sup>2</sup> )	2,5 (6 ÷ 35 mm <sup>2</sup> ) 2 (1,5 ÷ 16 mm <sup>2</sup> )	
Tool	Inbus č. 4 / PH 2	Inbus č. 4 / PH 2	Inbus č. 4 / PH 2	
Assembly method	TH 35 / on the plate	TH 35 / on the plate	TH 35 / on the plate	
Number of clamping points in 1 pole	7	11	15	
Number of levels	2	2	2	
Number of poles	2	2	2	
End cover plate required	NO	NO	NO	
Testing	EN 60947-7-1	EN 60947-7-1	EN 60947-7-1	
Dimensions [mm] (width / height / length)	94 / 50 / 44	147 / 50 / 44	182 / 50 / 44	
Weight [g]	170	230	280	
Packing [pcs]	1	1	1	
Order number [1 pcs]	UM207	UM211	UM215	

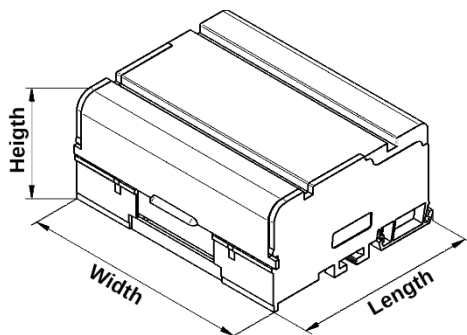




	<b>UK DTB 407</b>	<b>UK DTB 411</b>	<b>UK DTB 415</b>
Rated current [A]	125	125	125
Short-time withstand current [A]	4 200	4 200	4 200
Insulation voltage [V]	500	500	500
Cross-section [mm <sup>2</sup> ]	Input 6 ÷ 35 (flexible wire with ferrule max.25)	6 ÷ 35 (flexible wire with ferrule max.25)	6 ÷ 35 (flexible wire with ferrule max.25)
	Output 4 ÷ 25 (flexible wire with ferrule max.16) 5 x 1,5 ÷ 16 (flexible wire with ferrule max.10)	3 x 4 ÷ 25 (flexible wire with ferrule max.16) 7 x 1,5 ÷ 16 (flexible wire with ferrule max.10)	3 x 4 ÷ 25 (flexible wire with ferrule max.16) 11 x 1,5 ÷ 16 (flexible wire with ferrule max.10)
Tightening torque [Nm]	2,5 (6 ÷ 35 mm <sup>2</sup> ) 2 (1,5 ÷ 16 mm <sup>2</sup> )	2,5 (6 ÷ 35 mm <sup>2</sup> ) 2 (1,5 ÷ 16 mm <sup>2</sup> )	2,5 (6 ÷ 35 mm <sup>2</sup> ) 2 (1,5 ÷ 16 mm <sup>2</sup> )
Tool	Inbus č. 4 / PH 2	Inbus č. 4 / PH 2	Inbus č. 4 / PH 2
Assembly method	TH 35 / on the plate	TH 35 / on the plate	TH 35 / on the plate
Number of clamping points in 1 pole	7	11	15
Number of levels	4	4	4
Number of poles	4	4	4
End cover plate required	NO	NO	NO
Testing	EN 60947-7-1	EN 60947-7-1	EN 60947-7-1
Dimensions [mm] (width / height / length)	109 / 50 / 85	147 / 50 / 85	182 / 50 / 85
Weight [g]	350	470	580
Packing [pcs]	1	1	1
Order number [1 pcs]	UM407	UM411	UM415







		<b>UK DTB 412</b>
Rated current [A]		160
Short-time withstand current I <sub>cw</sub> [A]		4 200
Insulation voltage [V]		500
Cross-section [mm <sup>2</sup> ]	Input	6 ÷ 50 (flexible wire with ferrule max.35)
	Output	3 x 4 ÷ 35 (flexible wire with ferrule max.25) 7 x 1,5 ÷ 16 (flexible wire with ferrule max.10)
Tightening torque [Nm]		2,5 (6 ÷ 35 mm <sup>2</sup> ) 2 (1,5 ÷ 16 mm <sup>2</sup> )
Tool		Inbus č. 4 / PH 2
Assembly method		TH 35 / on the plate
Number of clamping points in 1 pole		11
Number of levels		4
Number of poles		4
End cover plate required		NO
Testing		EN 60947-7-1
Dimensions [mm] (width / height / length)		170 / 70 / 85
Weight [g]		780
Packing [pcs]		1
Order number [1 pcs]		UM412

### 3.1 Accessories



		<b>Adapter N 125A</b>	<b>Adapter N 160A</b>
<i>Rated current [A]</i>		125	160
<i>Short-time withstand current I<sub>cw</sub> [A]</i>		4 200	4 200
<i>Insulation voltage [V]</i>		500	500
<i>Cross-section [mm<sup>2</sup>]</i>	Input	-	-
	Output	4 x 2,5 ÷ 25 (flexible wire with ferrule max.16)	4 x 4 ÷ 35 (flexible wire with ferrule max.16)
		9 x 1,5 ÷ 16 (flexible wire with ferrule max.10)	10 x 1,5 ÷ 16 (flexible wire with ferrule max.10)
<i>Tightening torque [Nm]</i>		2,5 (6 ÷ 35 mm <sup>2</sup> ) 2 (1,5 ÷ 16 mm <sup>2</sup> )	2,5 (6 ÷ 35 mm <sup>2</sup> ) 2 (1,5 ÷ 16 mm <sup>2</sup> )
<i>Tool</i>		PH 2	PH 2
<i>Number of clamping points in 1 pole</i>		13	14
<i>Number of poles</i>		1	1
<i>Weight [g]</i>		177	196
<i>Package [pcs]</i>		1	1
<b><i>Suitable for distribution blocks:</i></b>		<b>UK DTB 211, UK DTB 215 UK DTB 411, UK DTB 415</b>	<b>UK DTB 412</b>
<i>Order number</i>		UMM07.15	UMM12

- The adapters are suitable for distribution blocks UK DTB only.
- The connection between adapter and block is conductive.
- The adapter increases number of clamping units.
- The adapters are suitable for partition PEN wire to PE and N wire.
- Mounting of adapter is quick and safe.





## General information

Company name: Elektro, výrobní družstvo v Bečově nad Teplou

Legal form: Cooperative

VAT number: CZ00028886

Headquarters: Becov nad Teplou, Tovarni 128, 364 64 Czech Republic

## Sale:

Phone: +420 353 361 112

Mobile: +420 777 750 056

Mobile: +420 732 510 948

E-mail: [odbyt@elektrobecov.cz](mailto:odbyt@elektrobecov.cz)

[export@elektrobecov.com](mailto:export@elektrobecov.com)

## Business Development Manager

Pier Antonio Perra

Mobile: +39 348 836 8543

E-mail: [pierperra@libero.it](mailto:pierperra@libero.it)

[www.elektrobecov.com](http://www.elektrobecov.com)

